

## Wafer Saf Teflon Conta Teflon Klape Kelebek Vana



### Ürün Kodu / Product Code

TKC3433

Gövde	GGG40
Klape	AISI 316 + PTFE
Conta	Teflon
Max Çalışma Basıncı	16 Bar
Max Çalışma Sıcaklığı	180°C

### STANDARDS / OPERATING CONDITIONS

DESIGN AND MANUFACTURE	API STD 609
INSPECTION AND TEST	API STD 598
FACE TO FACE DIMENSION	API STD 609

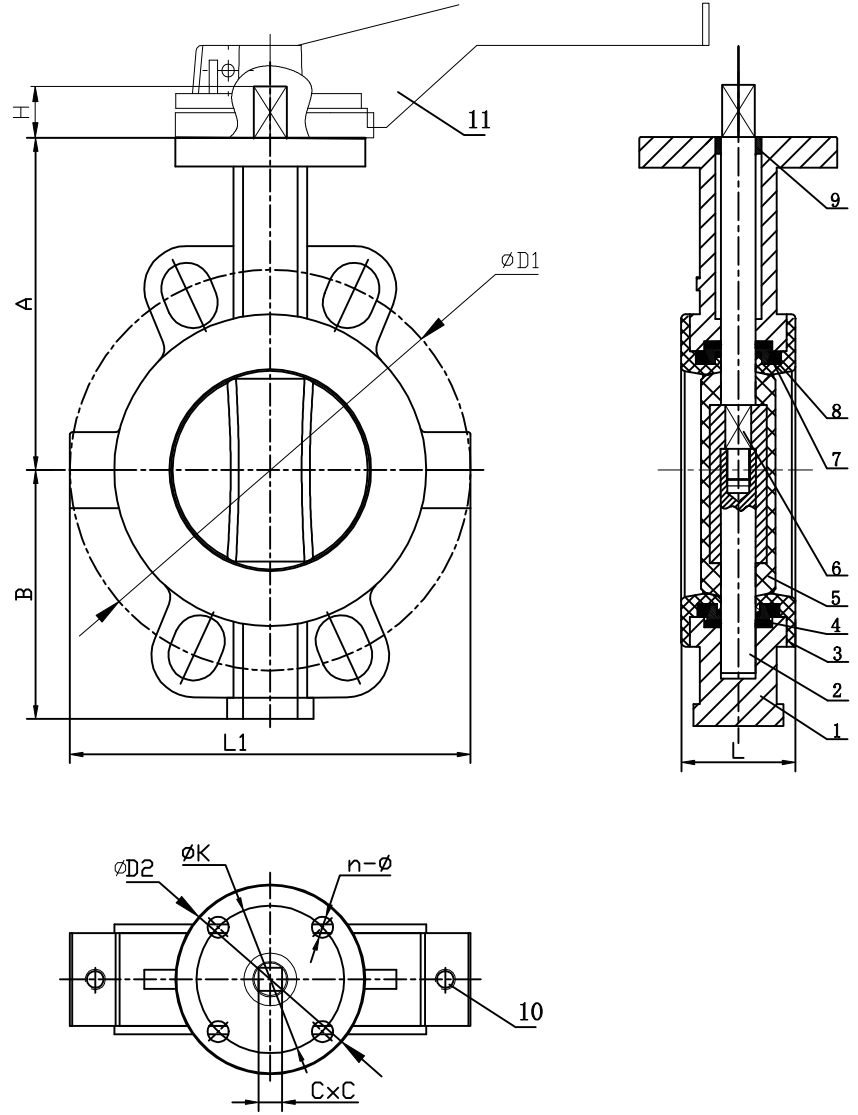
### TEST SPECIFICIATION / OPERATING

SHELL TEST PRESSURE	WATER	15 / 24BAR
SEAL TEST PRESSURE	WATER	15 / 24BAR
SUITABLE TEMPERATURE		-20~180°C

### CONNECTION DIMENSION FLANGED TYPE

ASTM B16.5(150#) , ASTM B16. 42 (150#) , ASTM B16.1 (125#) ,  
DIN 2501 (1.0/1.6MPa) , JIS B2220 (10K) , BS4504 (1.0/1.6 MPa)

ITEM	PART NAME	MATERIAL
1	BODY	D1
2	Down Shaft	SS431
3	Seat	PTFE
4	Butterfly Spring	SS
5	Disc	CF8M + PTFE
6	Up Shaft	SS431
7	Seat Energizer	Silicone
8	Prssing Sleeve	SS
9	Bushing	PTFE
10	Bolt	SS



SIZE	L	A	B	CxC	L1	H	D2	K	n-Ø	PN10 / 16	
										D1	n-Ø1
DN50 (2")	43	140	75	9x9	132	14	90	70	4 - 10	125	4 - 19
DN65 (2.5")	46	150	82	9x9	146	14	90	70	4 - 10	145	4 - 19
DN80 (3")	46	160	90	9x9	164	14	90	70	4 - 10	160	8 - 19
DN100 (4")	52	178	118	11x11	196	14	90	70	4 - 10	180	8 - 19
DN125 (5")	56	190	131	14x14	224	17	90	70	4 - 10	210	8 - 19
DN150 (6")	56	200	145	14x14	252	17	90	70	4 - 10	240	8 - 19
DN200 (8")	60	240	173	17x17	310	22	125	102	4 - 12	295	8 / 12 - 23